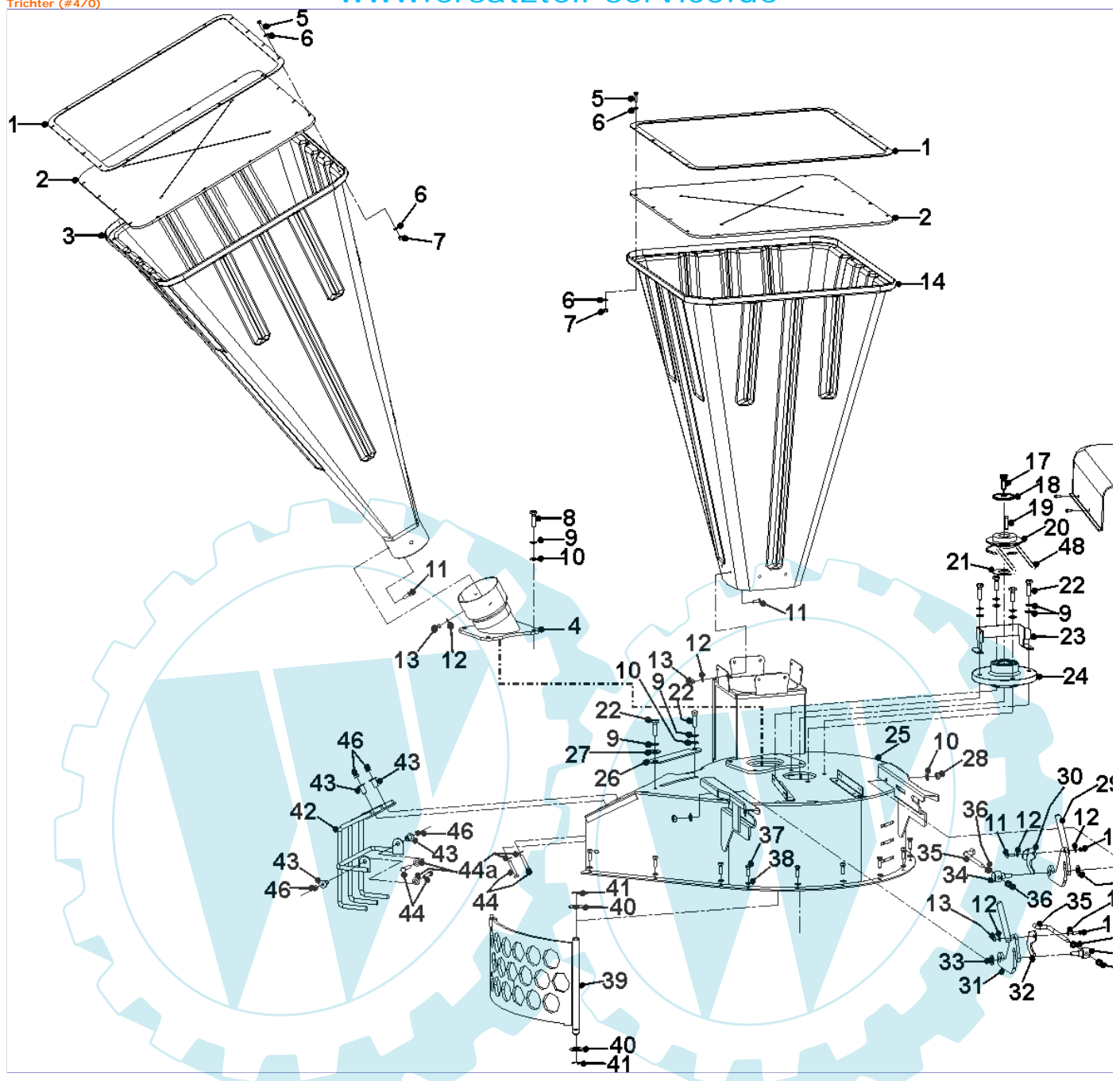


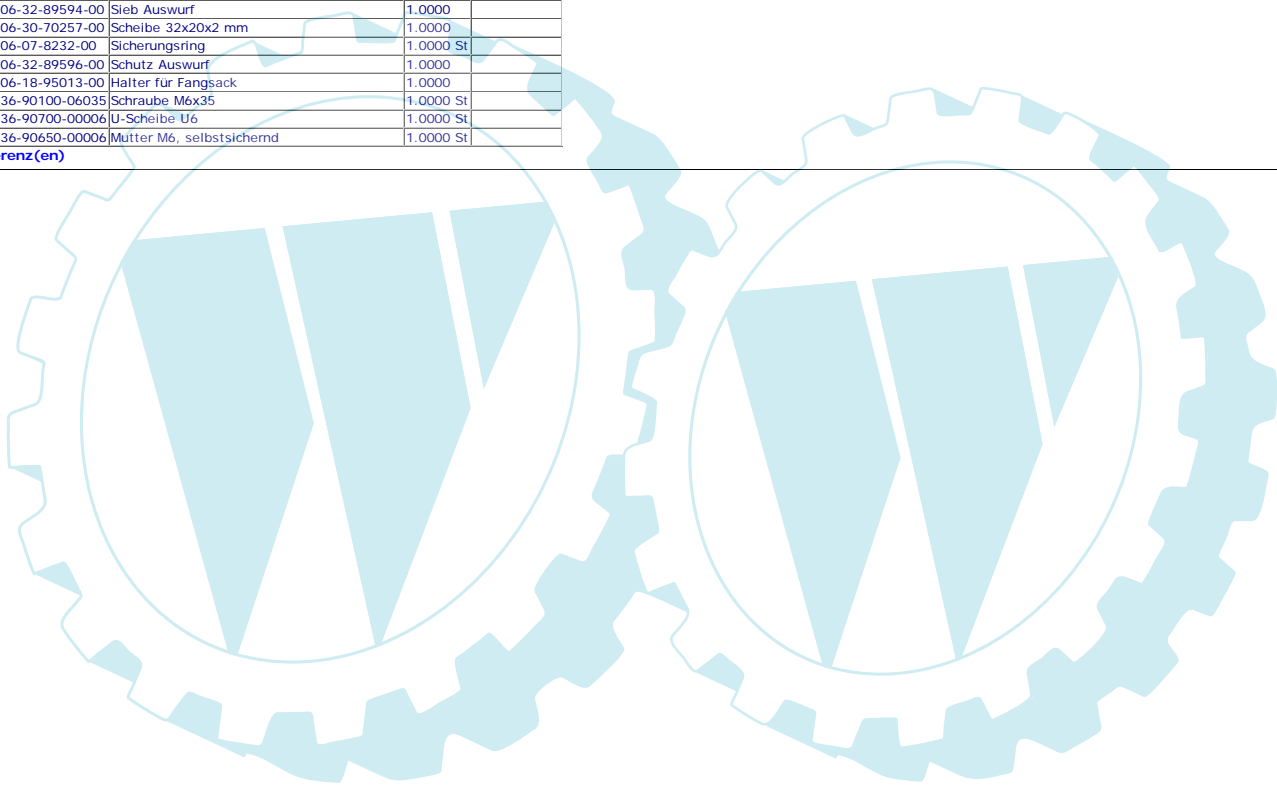
Trichter (#4/0)

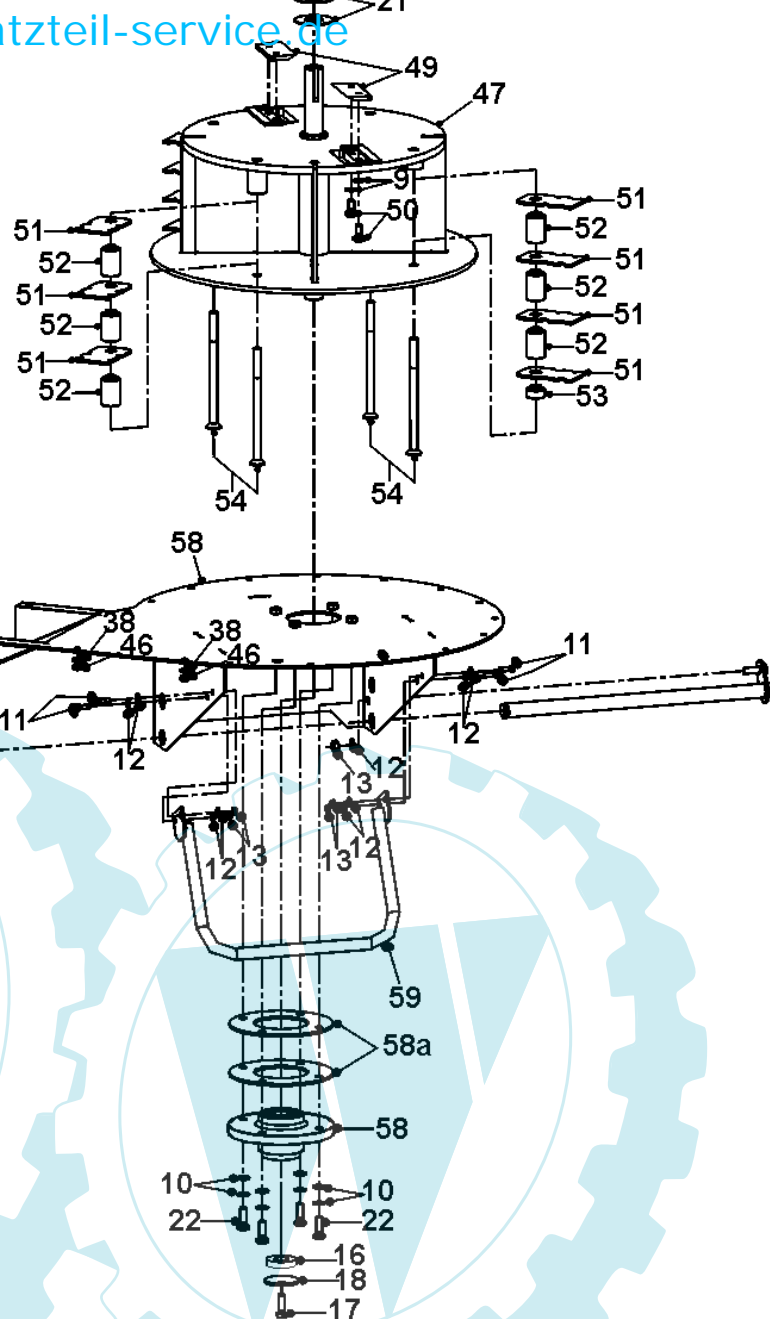
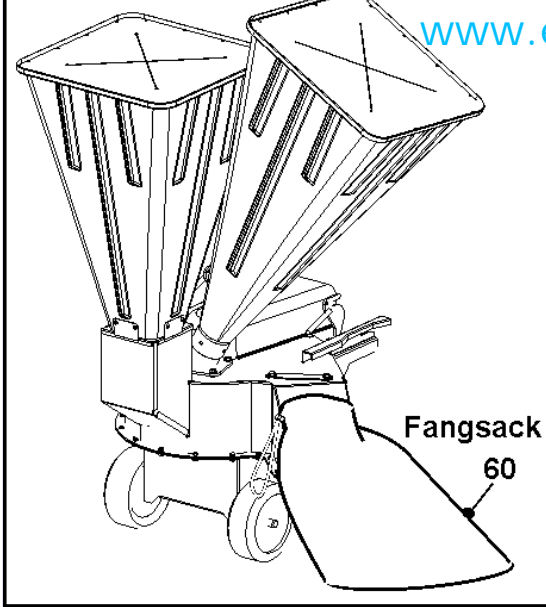


Stückliste:

| | | | |
|-----|----------------|---|-----------|
| 02 | 06-14-80178-00 | Schutzgummi, Trichter | 1.0000 |
| 03 | 06-14-95012-00 | Trichter, seitlich | 1.0000 |
| 04 | 06-32-89598-00 | Anschluß, Trichter, seitlich | 1.0000 |
| 05 | 36-90100-05016 | Schraube M5x16 | 1.0000 St |
| 06 | 36-90700-00005 | U-Scheibe U5 | 1.0000 St |
| 07 | 36-90650-00005 | Mutter M5, selbstsichernd | 1.0000 St |
| 08 | 36-90100-08020 | Schraube M8x20 | 1.0000 St |
| 09 | 36-90770-00008 | Zahnscheibe 8 | 1.0000 St |
| 10 | 06-02-9049-00 | Schraube M5, selbstschneidend | 1.0000 |
| 11 | 06-01-94795-00 | Schraube, Linsenkopf, Inbus, schwarz, M5x16 | 1.0000 St |
| 12 | 06-08-80028-00 | U-Scheibe M5, C-Form, m AD 12,5 | 1.0000 St |
| 13 | 36-90650-00005 | Mutter M5, selbstsichernd | 1.0000 St |
| 14 | 06-14-95011-00 | Trichter, mitte | 1.0000 |
| 15 | 06-14-95108-00 | Riemenschutz | 1.0000 |
| 17 | 36-90100-10030 | Schraube M10x1,5x30 | 1.0000 St |
| 18 | 06-08-8199-00 | "Scheibe gewölbt, 3/8""idx1.3/4""adx1/8"" | 1.0000 St |
| 19 | 06-09-8534-01 | "Keil 1/4"" x 1.1/4"" | 1.0000 St |
| 20 | 06-18-95012-00 | Riemenscheibe | 1.0000 |
| 21 | 06-08-94190-00 | Scheibe 46mmx25mm | 1.0000 St |
| 22 | 36-90100-08030 | Schraube M8x30, Sechskant | 1.0000 St |
| 23 | 06-30-72046-00 | Riemenschutz | 1.0000 |
| 24 | 06-10-8998-00 | Lagergehäuse | 1.0000 |
| 25 | 06-32-89591-00 | Gehäuse, Häckseler | 1.0000 |
| 26 | 06-30-72047-00 | Halter | 1.0000 |
| 27 | 06-31-3061-03 | Buchse | 1.0000 St |
| 28 | 36-90650-00008 | Mutter M8, selbstsichernd | 1.0000 St |
| 29 | 06-32-70118-00 | Verschußhebel links | 1.0000 |
| 30 | 06-30-1498-00 | Arretierung, links | 1.0000 St |
| 31 | 06-32-70119-00 | Verschußhebel rechts | 1.0000 |
| 32 | 06-30-1503-00 | Arretierung, rechts | 1.0000 St |
| 33 | 06-08-80023-00 | Nylon-Scheibe 25 x M8 x 1.75 | 1.0000 St |
| 34 | 06-18-30038-00 | Schraubbolzen M8 | 1.0000 St |
| 35 | 06-31-30035-00 | Gewindestange | 1.0000 St |
| 36 | 36-90649-00008 | Mutter M8 | 1.0000 St |
| 37 | 36-90100-06016 | Schraube M6x16 | 1.0000 St |
| 38 | 06-08-8743-00 | "U-Scheibe 1/4"" T4 HP" | 1.0000 St |
| 39 | 06-32-89594-00 | Sieb Auswurf | 1.0000 |
| 40 | 06-30-70257-00 | Scheibe 32x20x2 mm | 1.0000 |
| 41 | 06-07-8232-00 | Sicherungsring | 1.0000 St |
| 42 | 06-32-89596-00 | Schutz Auswurf | 1.0000 |
| 43 | 06-18-95013-00 | Halter für Fangsack | 1.0000 |
| 44 | 36-90100-06035 | Schraube M6x35 | 1.0000 St |
| 44a | 36-90700-00006 | U-Scheibe U6 | 1.0000 St |
| 46 | 36-90650-00006 | Mutter M6, selbstsichernd | 1.0000 St |

45 referenz(en)





Stückliste:

| Ref. # | Artikelnr. | Artikelname | Menge | Beschreibung |
|--------|-----------------|---|--------|--------------|
| 09 | 36-90770-00008 | Zahnscheibe 8 | 1.0000 | St |
| 11 | 06-01-94795-00 | Schraube, Linsenkopf, Inbus, schwarz, M5x16 | 1.0000 | St |
| 12 | 06-08-80028-00 | U-Scheibe M5, C-Form, m AD 12,5 | 1.0000 | St |
| 13 | 36-90650-00005 | Mutter M5, selbstsichernd | 1.0000 | St |
| 16 | 06-18-30231-00 | Distanzstück Riemenscheibe | 1.0000 | St |
| 17 | 36-90100-10030 | Schraube M10x1,5x30 | 1.0000 | St |
| 18 | 06-08-8199-00 | "Scheibe gewölbt, 3/8"idx1.3/4"adx1/8" | 1.0000 | St |
| 21 | 06-08-94190-00 | Scheibe 46mmx25mm | 1.0000 | St |
| 22 | 36-90100-08030 | Schraube M8x30, Sechskant | 1.0000 | St |
| 38 | 06-08-8743-00 | "U-Scheibe 1/4" T4 HP" | 1.0000 | St |
| 40 | 06-30-70257-00 | Scheibe 32x20x2 mm | 1.0000 | St |
| 45 | 06-14-8118-00 | Radkappe | 1.0000 | St |
| 46 | 36-90650-00006 | Mutter M6, selbstsichernd | 1.0000 | St |
| 47 | 06-32-89595-00 | Häcklertrommel | 1.0000 | St |
| 49 | 06-30-72025-00 | Schnitzelmesser | 1.0000 | St |
| 50 | 36-90100-08016 | Schraube M8x16 | 1.0000 | St |
| 51 | 06-30-72408-00 | Häckselmesser | 1.0000 | St |
| 52 | 06-18-95003-00 | Distanzhülse 40mm | 1.0000 | St |
| 53 | 06-18-95005-00 | Distanzhülse 15mm | 1.0000 | St |
| 54 | 06-01-94801-00 | Schraube M10x160 Senkkopf | 1.0000 | St |
| 55 | 06-32-89597-00 | Abdeckung Rad | 1.0000 | St |
| 56 | 06-19-94071-00 | Rad Ø 200mm | 1.0000 | St |
| 57 | 36-90330-00012 | E-Clip M12 | 1.0000 | St |
| 58 | 06-32-89592-00 | Abdeckplatte, Gehäuse, Häckseler | 1.0000 | St |
| 58a | 06-32-89606-00 | Lagerplatte | 1.0000 | St |
| 59 | 06-32-8959-00 | Ständer | 1.0000 | St |
| 60 | 06-38-94735-00 | Fangsack | 1.0000 | St |
| 61 | 16-899580-68730 | Schutzbrille | 1.0000 | St |

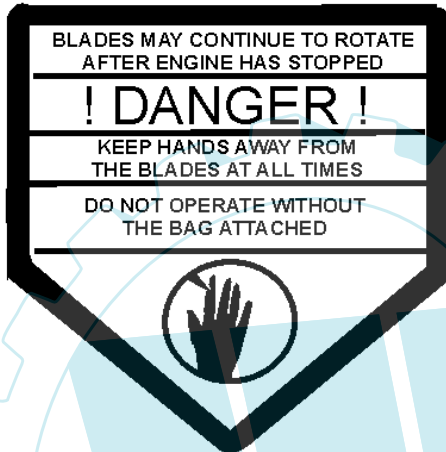
28 referenz(en)

CAUTION

**OPERATE THIS EQUIPMENT IN A SAFE MANNER & ACCORDING TO THE OPERATOR'S MANUAL
SERIOUS PERSONAL INJURY MAY RESULT IF YOU DO NOT!**

- * Use proper safety **GOGGLES**, NEVER wear **LOOSE** clothing.
- * **KEEP** observers **CLEAR** of entire operating area.
- * **KEEP** hands **CLEAR** of any material being pulled into grinder.
- * **KEEP** hands **ABOVE** top plastic shields.
- * **KEEP** hands and feet **OUTSIDE** of discharge periphery.
- * **Feed** limbs into **CHIPPER** per operator's manual.
- * **Feed** loose materials into **GRINDER** per operator's manual.

62.



64.



65.



63.

Stückliste:

| Ref. # | Artikelnr. | Artikelname | Menge | Beschreibung |
|--------|----------------|------------------------------|--------|--------------|
| 62 | 06-35-95090-00 | Aufkleber Achtung | 1.0000 | |
| 63 | 06-35-95092-00 | Aufkleber Warmbilder | 1.0000 | |
| 64 | 06-35-95091-00 | Aufkleber Gefahr Messer | 1.0000 | |
| 65 | 06-35-8095-00 | Aufkleber Gefahr, KM-Antrieb | 1.0000 | |

4 referenz(en)